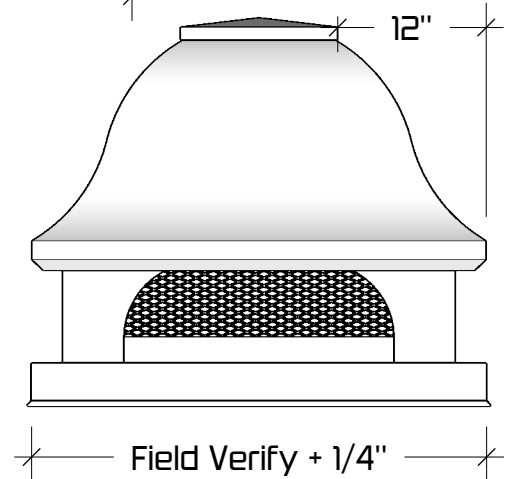
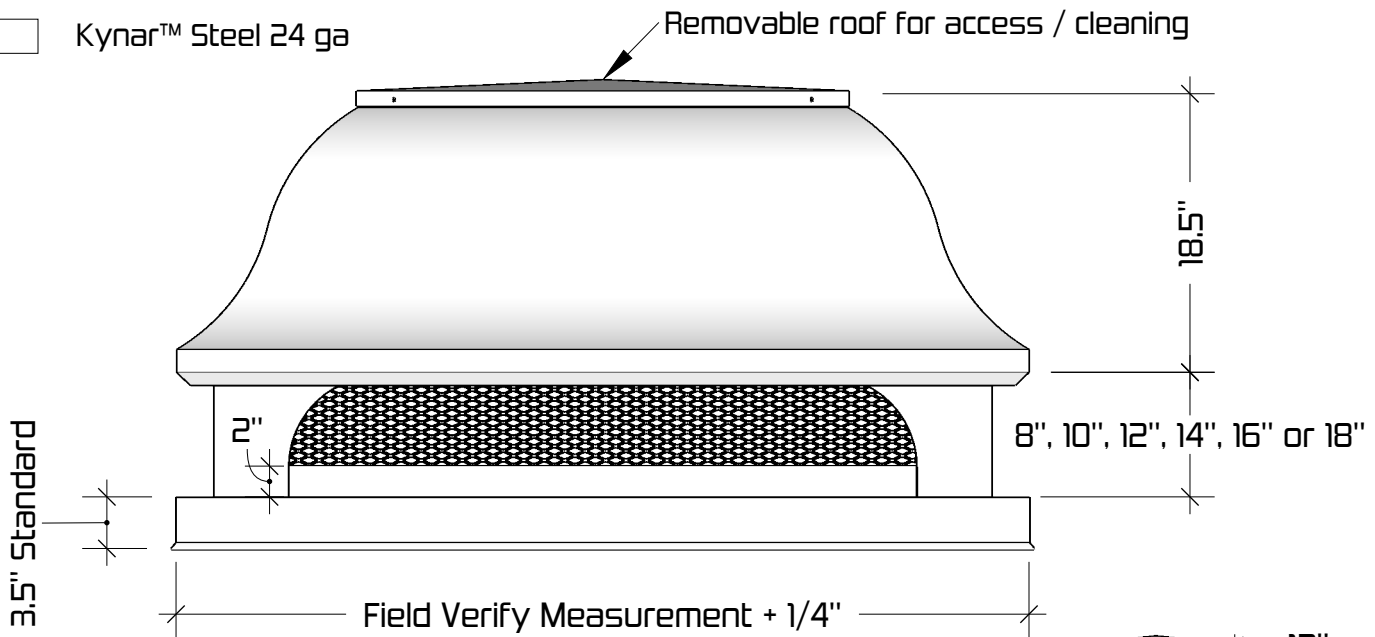
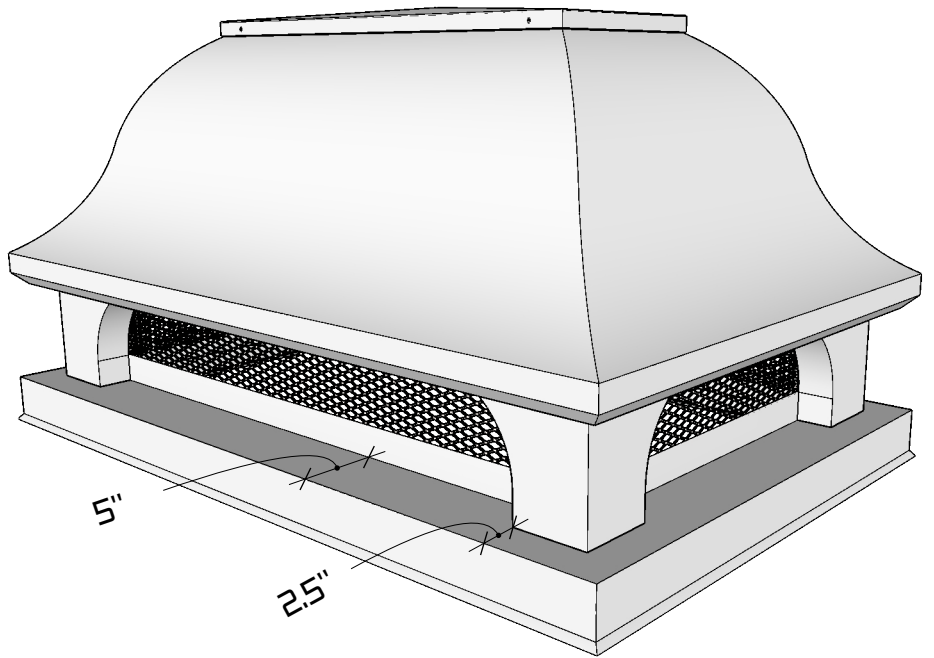


## Available Materials

- Copper 16 oz.
- Copper 20 oz.
- Lead Coated Copper 16 oz.
- Lead Coated Copper 20 oz.
- Freedom Gray® 16 oz.
- Freedom Gray® 20 oz.
- Stainless Steel 24 ga
- Galvalume Plus 24 ga
- Kynar™ Aluminum 0.032"
- Kynar™ Steel 24 ga



**Notes:**

- Please Double Check All Measurements before submitting them to us.
- If your Chimney is out of square, submit a sketch or a template for fabrication.
- All Chase Covers and Chimney Caps are custom manufactured and CANNOT BE RETURNED.
- The minimum length or width for this model is 30".

| REVISIONS |                           |
|-----------|---------------------------|
| MM/DD/YY  | REMARKS                   |
| 1         | ORIGINAL DRAFT OF DRAWING |
| 2         |                           |
| 3         |                           |
| 4         |                           |
| 5         |                           |