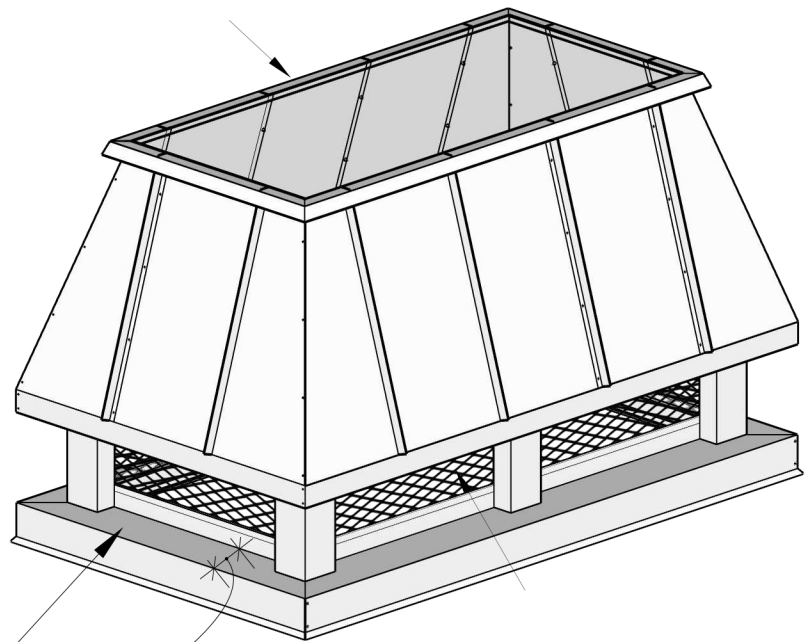


Available Materials

- Copper 16 oz., 20 oz. & 32 oz.
- Lead Coated Copper 16 oz. & 20 oz.
- Freedom Gray® 16 oz. & 20 oz.
- Stainless Steel 24 ga
- Galvalume Plus 24 ga
- Kynar™ Aluminum 0.032"
- Kynar™ Steel 24 ga

Open top (Shroud version)

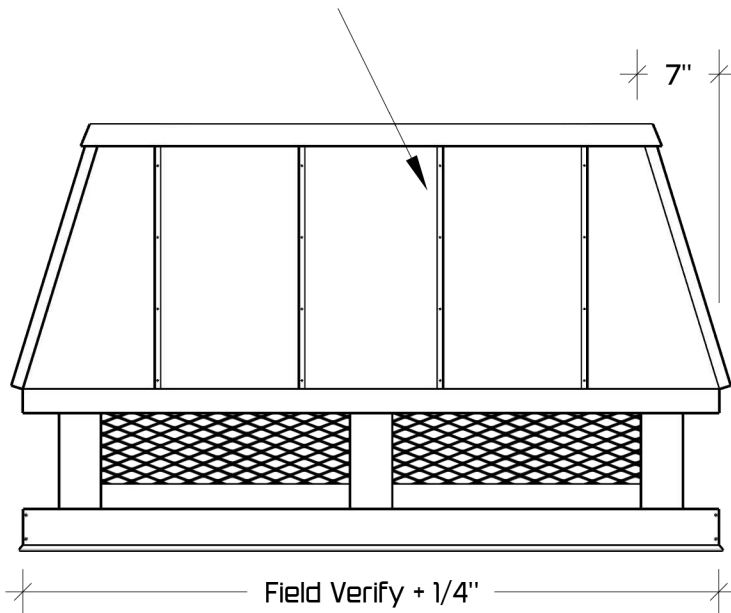


Also available as top mount

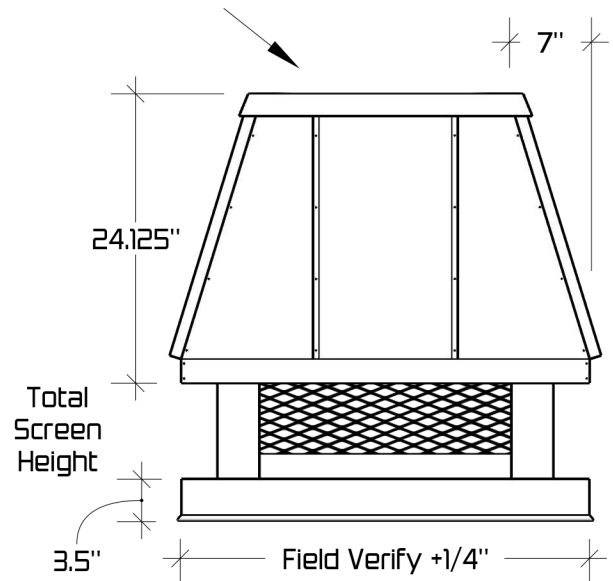
5"

Expanded metal screen

1" decorative standing seams



Also available as a cap (with roof)



Notes:

- Please double check all measurements before submitting them to us.
- If your Chimney is out of square, submit a sketch or a template for fabrication.
- All chase covers and chimney caps are custom manufactured and CANNOT BE RETURNED.



1310 E. Cornwallis Rd.
Durham, NC - 27713
(919) 544-8887 - Fax: 544-8898
info@kmsheetmetal.com - www.kmsheetmetal.com

Standing Seam Chimney Shroud

#CC1125

REVISIONS	
MM/DD/YY	REMARKS
1	... ORIGINAL DRAFT OF DRAWING
2	...
3	...
4	...
5	...

100
0