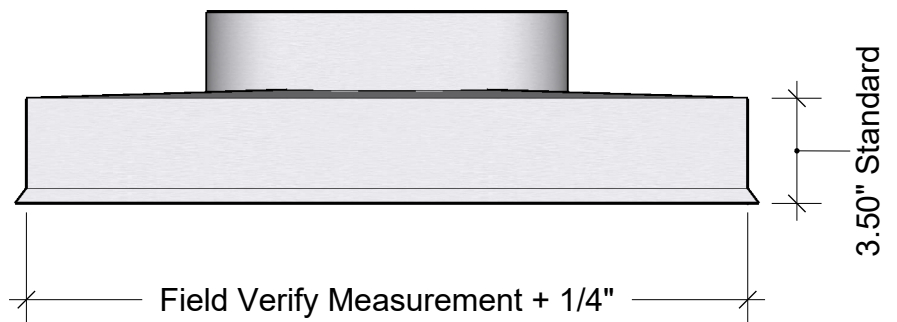
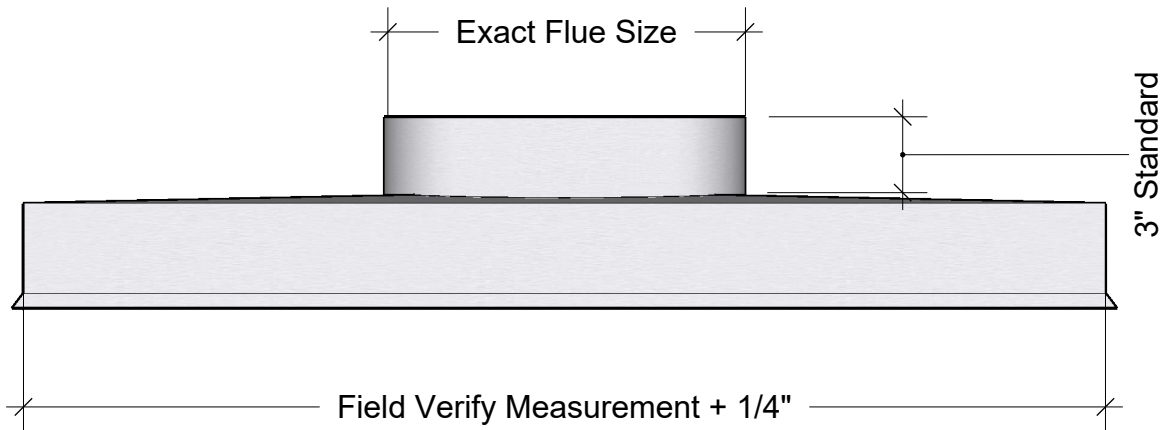


Flue dimensions may be provided by measuring to the center of the flue (A1 and A2) and specifying the hole diameter (D1), or by measuring to the side of the flue (B1 and B2) along with dimension D1.



Notes:

- Please double check all measurements before submitting them to us.
- Add 1/4" to the longest measurement from each side of your chimney or let us know if you'd like us to do so.
- Submit sketches for all chimney covers containing flues and all that are out of square.
- All Chase Covers and Chimney Caps are custom ordered items and **CANNOT BE RETURNED.**



1310 E. Cornwallis Rd.
 Durham, NC 27713
 P-(919) 544-8887 F- 544-8898

info@kmsheetmetal.com - www.kmsheetmetal.com

Chimney Chase Cover

#CC200

| REVISIONS | |
|-----------|------------------------------|
| MM/DD/YY | REMARKS |
| 1 | ...ORIGINAL DRAFT OF DRAWING |
| 2 | ... |
| 3 | ... |
| 4 | ... |
| 5 | ... |

D 001