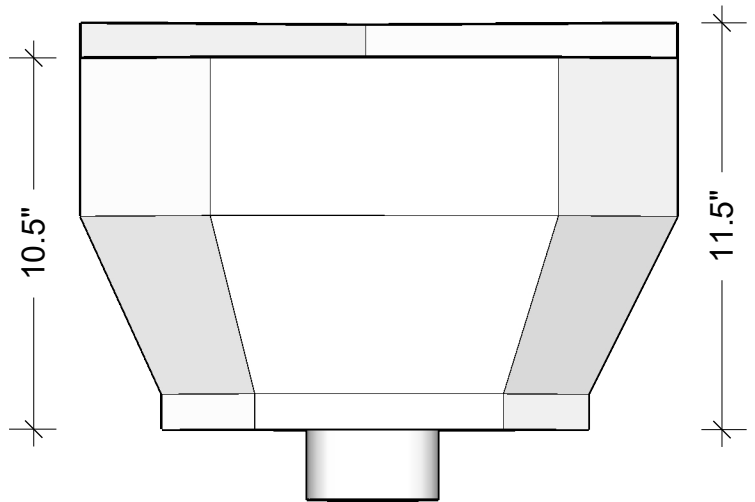
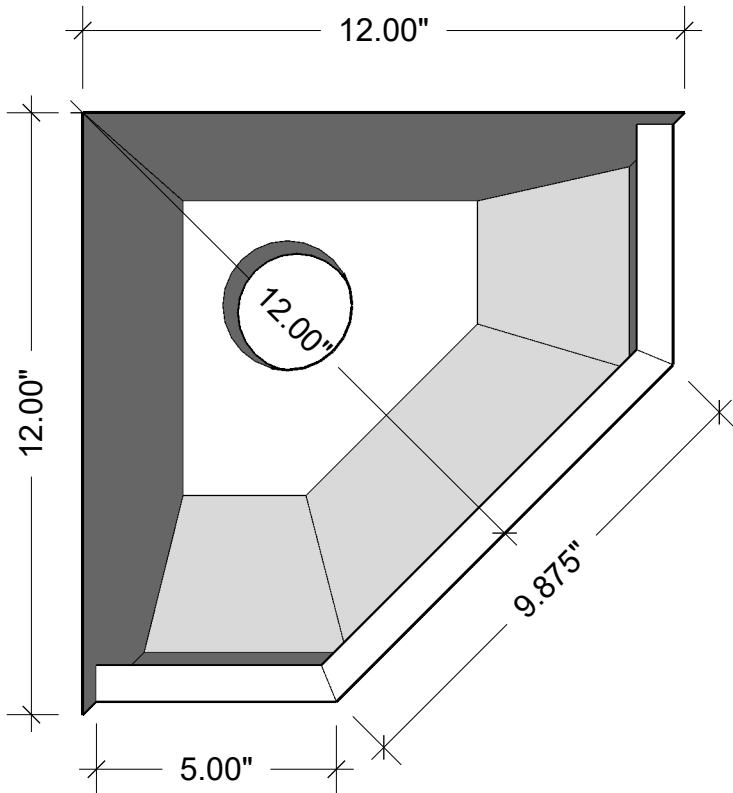
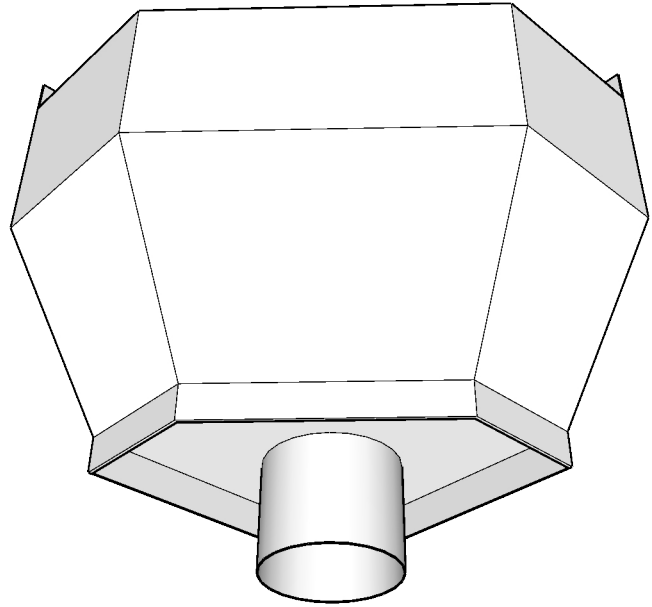
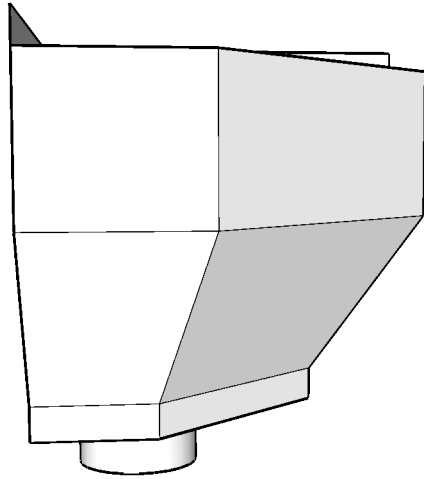


BASIC SMALL INSIDE CORNER **CONDUCTOR HEAD**

- AVAILABLE IN COPPER, LEAD COATED COPPER, ZINC GALVALUME, OR PRE-FINISHED ALUMINUM & STEEL STANDARD COLORS KYNAR FINISH
- **CUSTOM COLORS AVAILABLE AT AN INCREASED COST**
- CAN ACCOMODATE 3" - 6" ROUND DOWNSPOUT



1310 E. Cornwallis Rd.
Durham, NC 27713
P-(919) 544-8887 F- 544-8898
info@kmsheetmetal.com - www.kmsheetmetal.com

Basic Small
Inside Corner Conductor Head

REVISIONS	
MM/DD/YY	REMARKS
1	...
2	...
3	...
4	...
5	...

D 001