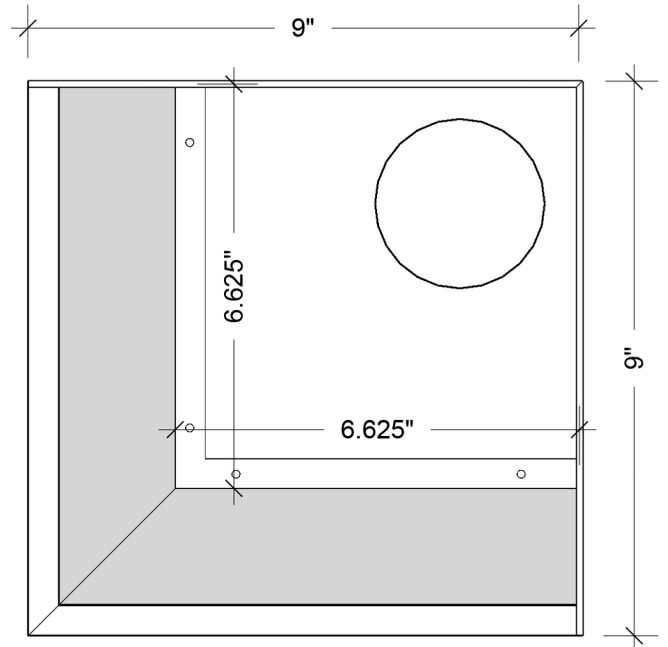
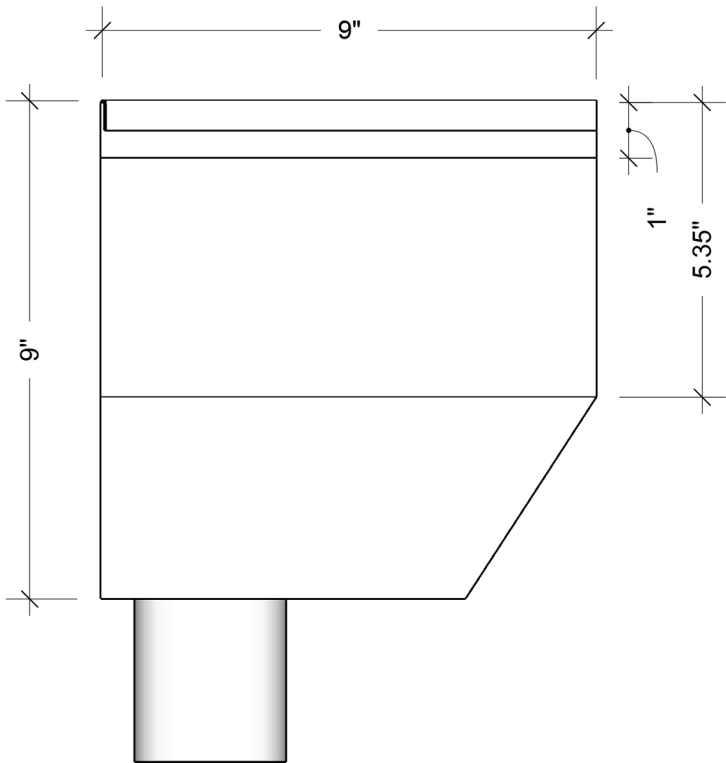
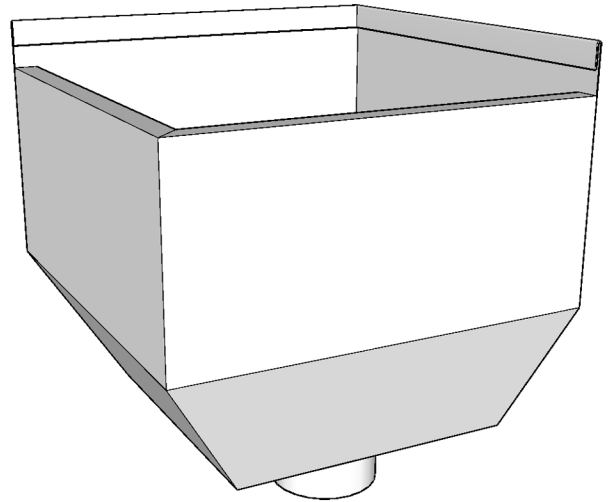
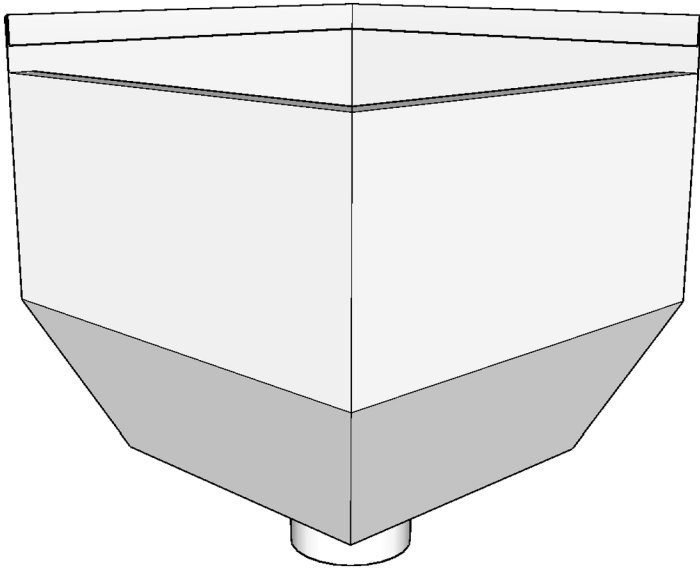


# The Basic Small Square Conductor Head Inside Corner

Available in copper, zinc, lead coated copper, galvalume, steel and aluminum.

Rivets will be used to assemble galvalume, steel and aluminum items.



REVISIONS	
MM/DD/YY	REMARKS
1	...ORIGINAL DRAFT OF DRAWING
2	...
3	...
4	...
5	...