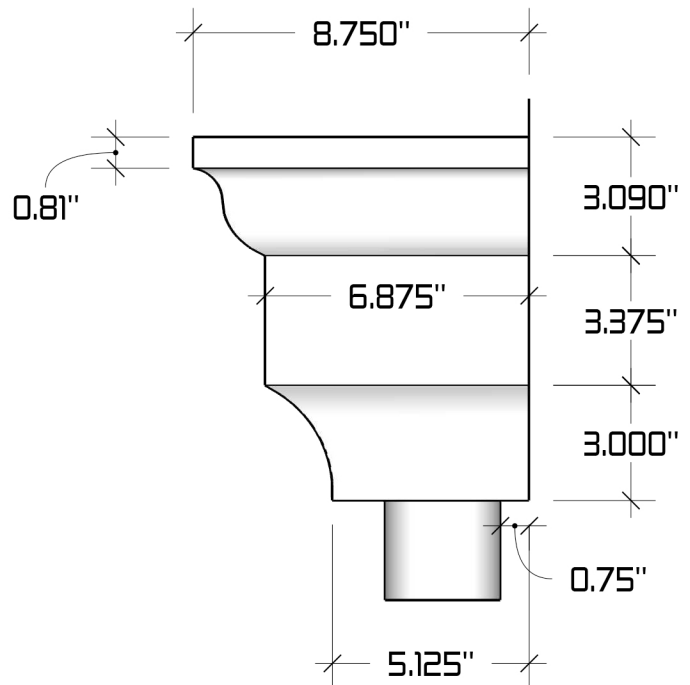
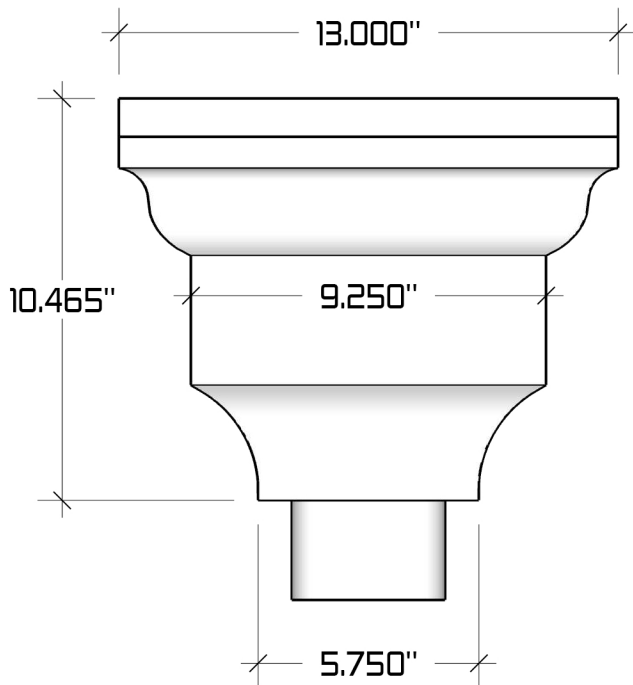
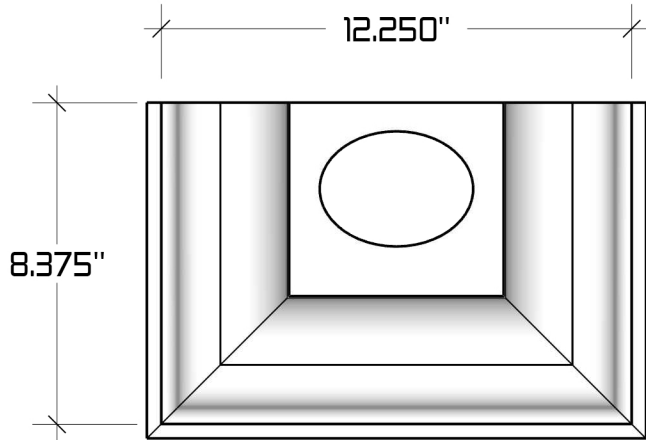
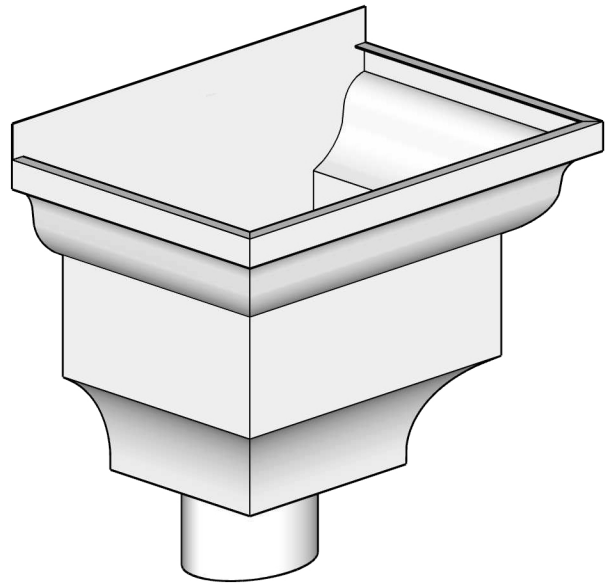


The Federal Conductor Head

Available Downspout Options

2"x3", 3"x4" and 4"x5" oval outlets
Fits square and round downspouts



Available Materials

Soldered seams when possible, otherwise riveted.

Aluminum 0.027", Bonderized (Paint Grip), Copper, Freedom Gray®, Lead coated Copper, Galvalume Plus, Kynar® Aluminum (colors), Kynar® Galvalume (colors), 2B 304 Stainless Steel. Available in standard Powder Coated Colors. Other colors and materials may be available upon request.



1310 E. Cornwallis Rd.
Durham, NC - 27713
(919) 544-8887 - Fax: 544-8898
info@kmsheetmetal.com - www.kmsheetmetal.com

The Federal
Conductor Head

REVISIONS	
MM/DD/YY	REMARKS
1	..ORIGINAL DRAFT OF DRAWING
2	..
3	..
4	..
5	..

D 001