

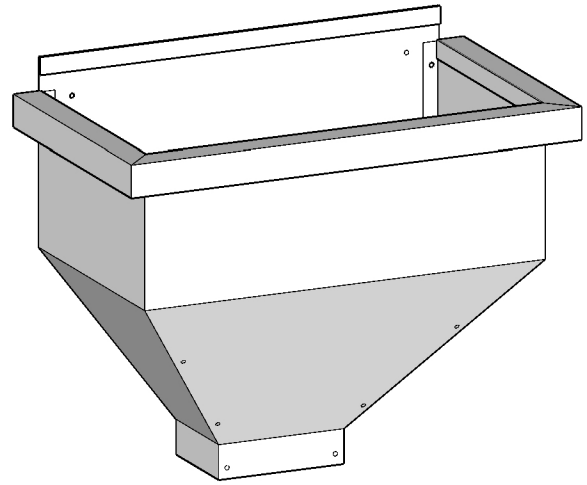
The Standard Conductor Head

Available Downspout Options

- 2"x3" , 3"x4" and 4"x5

Available Materials

- 0.027" Aluminum
- 0.032" Aluminum and 24 Gauge Kynar™ Steel
- Copper 16 oz. & 20oz.
- LCC 16 oz. & 20 oz.
- Freedom Gray® 16 oz. & 20oz.
- Zinc 0.7mm & 0.8mm



Notes:

Item is soldered when possible, riveted when needed.

Size	A	B	C	D
2"x3"	2.875"	1.875"	11"	5.875"
3"x4"	3.875"	2.875"	12"	6.875"
4"x5"	4.875"	3.875"	13"	7.875"

