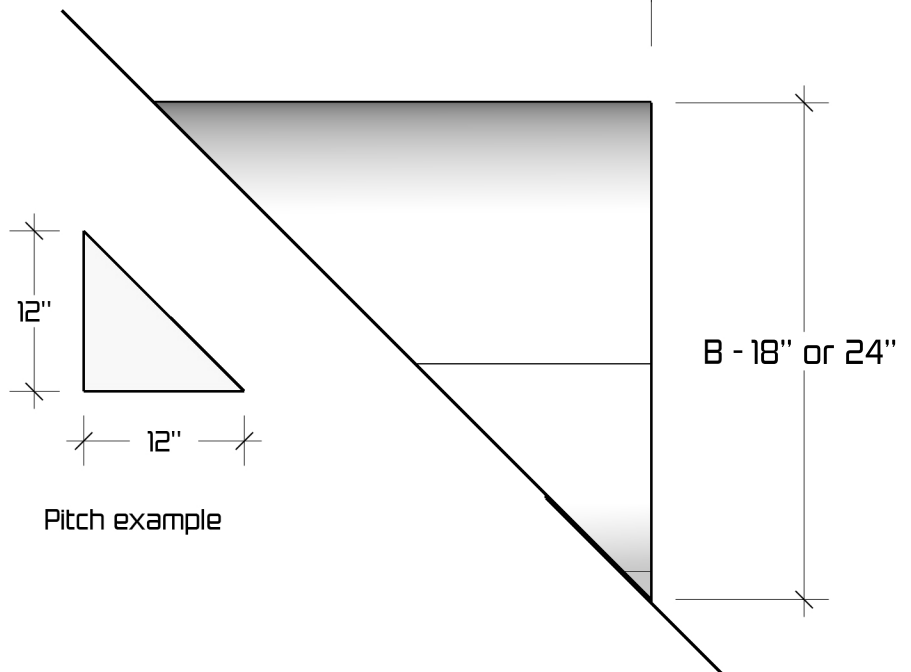


C (Changes with roof pitch)

A	B
36"	18"
48"	24"



Eye brow Dormer

- All Louver Blades, Louver Frame, & Roof will be fabricated out of the material of choice.
- Frame support structures to be added as needed.
- All Seams to be watertight. Soldered with 50/50 Tin / Lead Solder.
- Stainless Steel Insect screen wire mesh will be installed to back side of louver.
- Available in Copper, Lead coated Copper, Freedom Gray & Stainless Steel.
- Powder Coating to Match many of our stock Aluminum 0.027" & Kynar Finish colors is available for dormers fabricated using stainless steel.

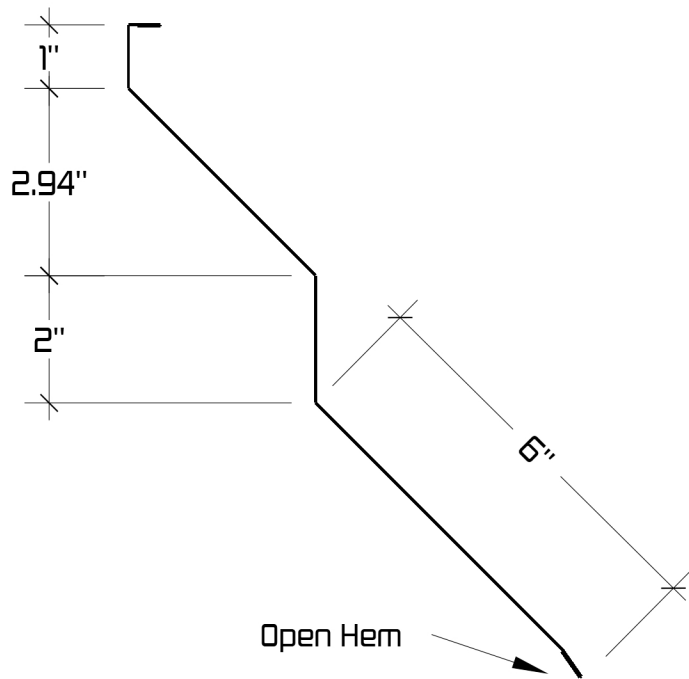
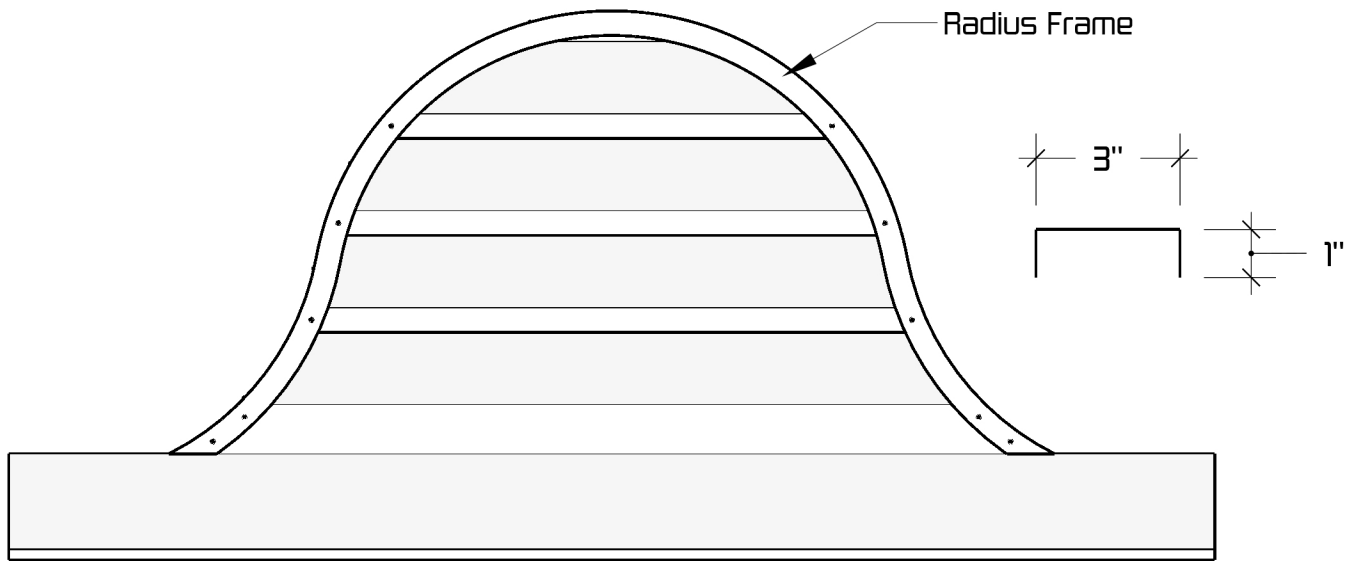


1310 E. Cornwallis Rd.
Durham, NC - 27713
(919) 544-8887 - Fax: 544-8898
info@kmsheetmetal.com - www.kmsheetmetal.com

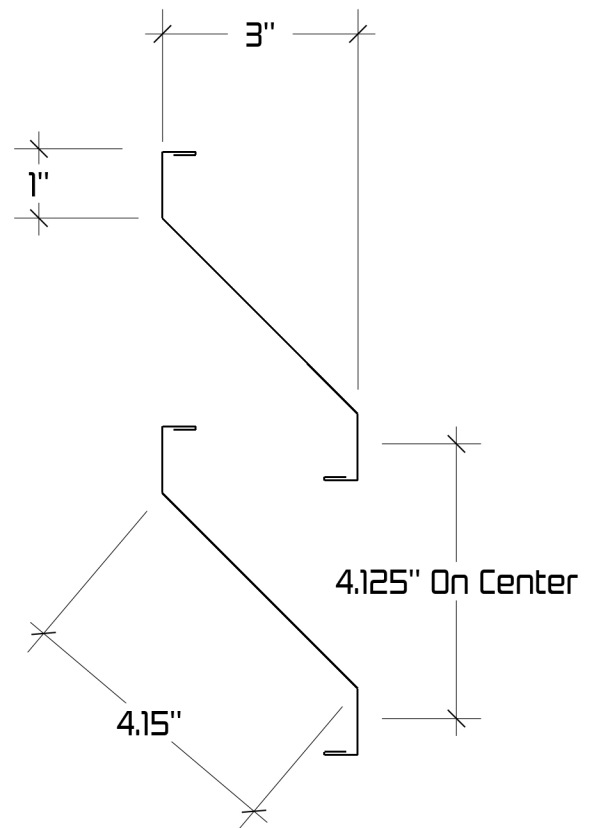
Eye brow Dormer

Construction Overview

REVISIONS	
MM/DD/YY	REMARKS
1	...ORIGINAL DRAFT OF DRAWING
2	...
3	...
4	...
5	...



Bottom Apron Louver Blade



Standard Louver Blades



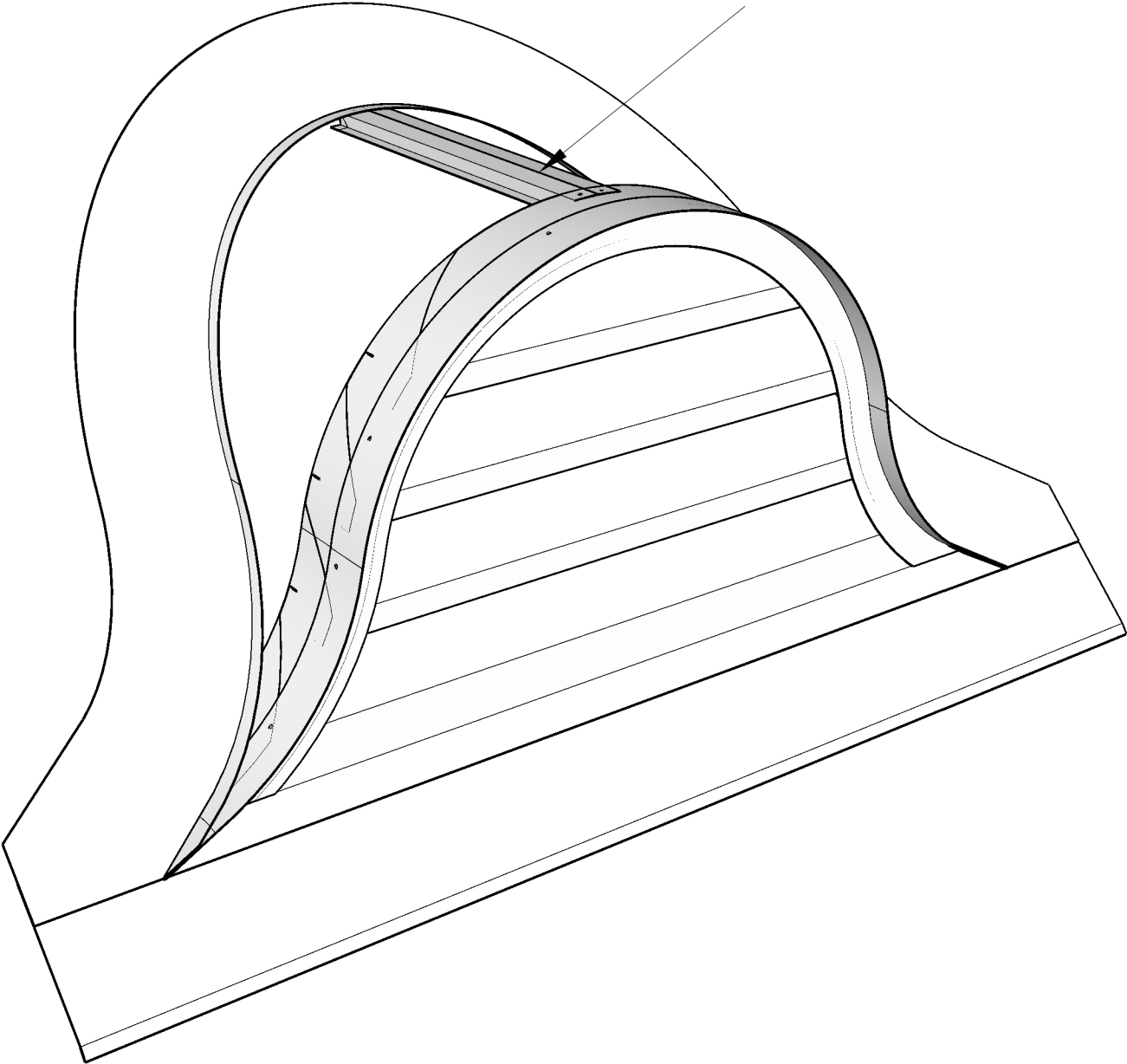
1310 E. Cornwallis Rd.
 Durham, NC - 27713
 (919) 544-8887 - Fax: 544-8898
 info@kmsheetmetal.com - www.kmsheetmetal.com

Eyebrow Dormer

Louver Construction Detail

REVISIONS		REMARKS
1	MM/DD/YY	...ORIGINAL DRAFT OF DRAWING
2	MM/DD/YY	...
3	MM/DD/YY	...
4	MM/DD/YY	...
5	MM/DD/YY	...

Frame supports added as needed



1310 E. Cornwallis Rd.
Durham, NC - 27713
(919) 544-8887 - Fax: 544-8898
info@kmsheetmetal.com - www.kmsheetmetal.com

Eyebrow Dormer

Frame Support Detail

REVISIONS		REMARKS
NO.	MM/DD/YY	
1	--/--/--	...ORIGINAL DRAFT OF DRAWING
2	--/--/--	...
3	--/--/--	...
4	--/--/--	...
5	--/--/--	...