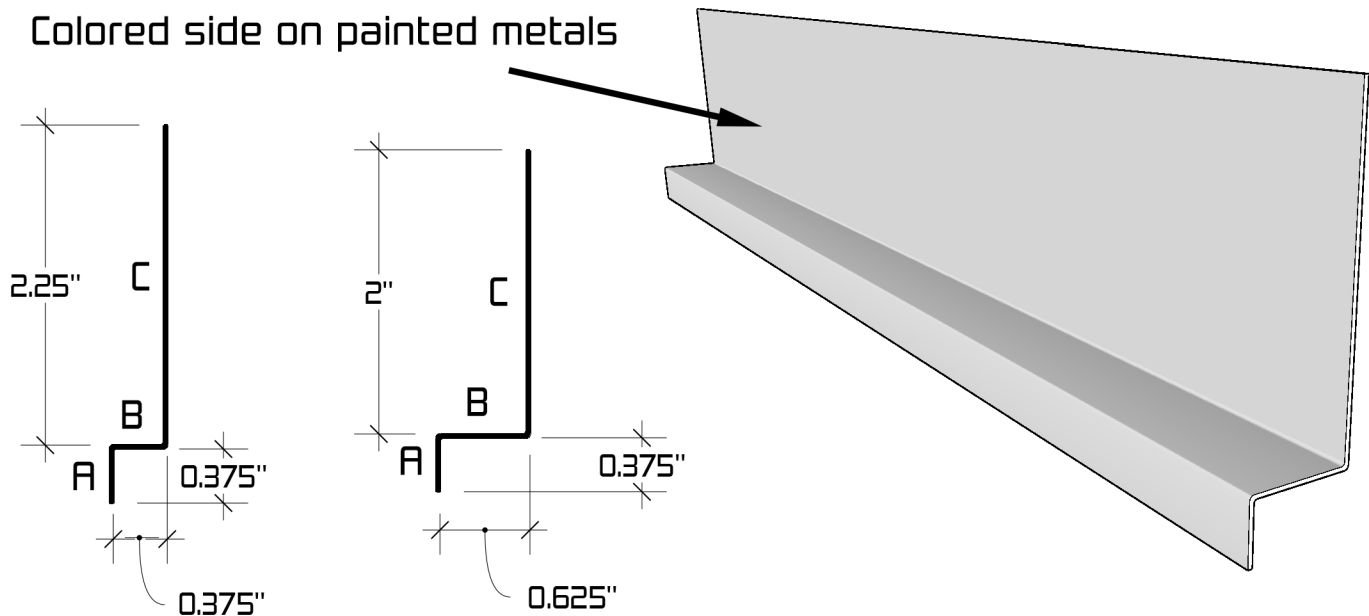


Z Flashing Metal

Colored side on painted metals



Sizes

Size	A	B	C	Stock Material
3/8"	0.375"	0.375"	2.25"	3"
5/8"	0.375"	0.625"	2"	3"
Custom	Min. 0.375"	Min. 0.375"	Custom	A+B+C

Stock: For materials such as copper, freedom gray and lead coated copper, optimal even cuts out of a 36" wide sheet: 3", 4", 6", 9", 12", 18" and 24".

For 48" wide sheets such as stainless steel, galvalume, kynar aluminum kynar steel, optimal even cuts are: 3", 4", 6", 8", 9.6", 12", 16", 24", 36".

Commonly used on siding and masonry applications. Also available in **custom sizes and angles** as well as different materials.



1310 E. Cornwallis Rd.
Durham, NC - 27713
(919) 544-8887 - Fax: 544-8898
info@kmsheetmetal.com - www.kmsheetmetal.com

Z Flashing Metal

Available in 10' lengths

REVISIONS	
MM/DD/YY	REMARKS
1	...ORIGINAL DRAFT OF DRAWING
2	...
3	...
4	...
5	...

001
D