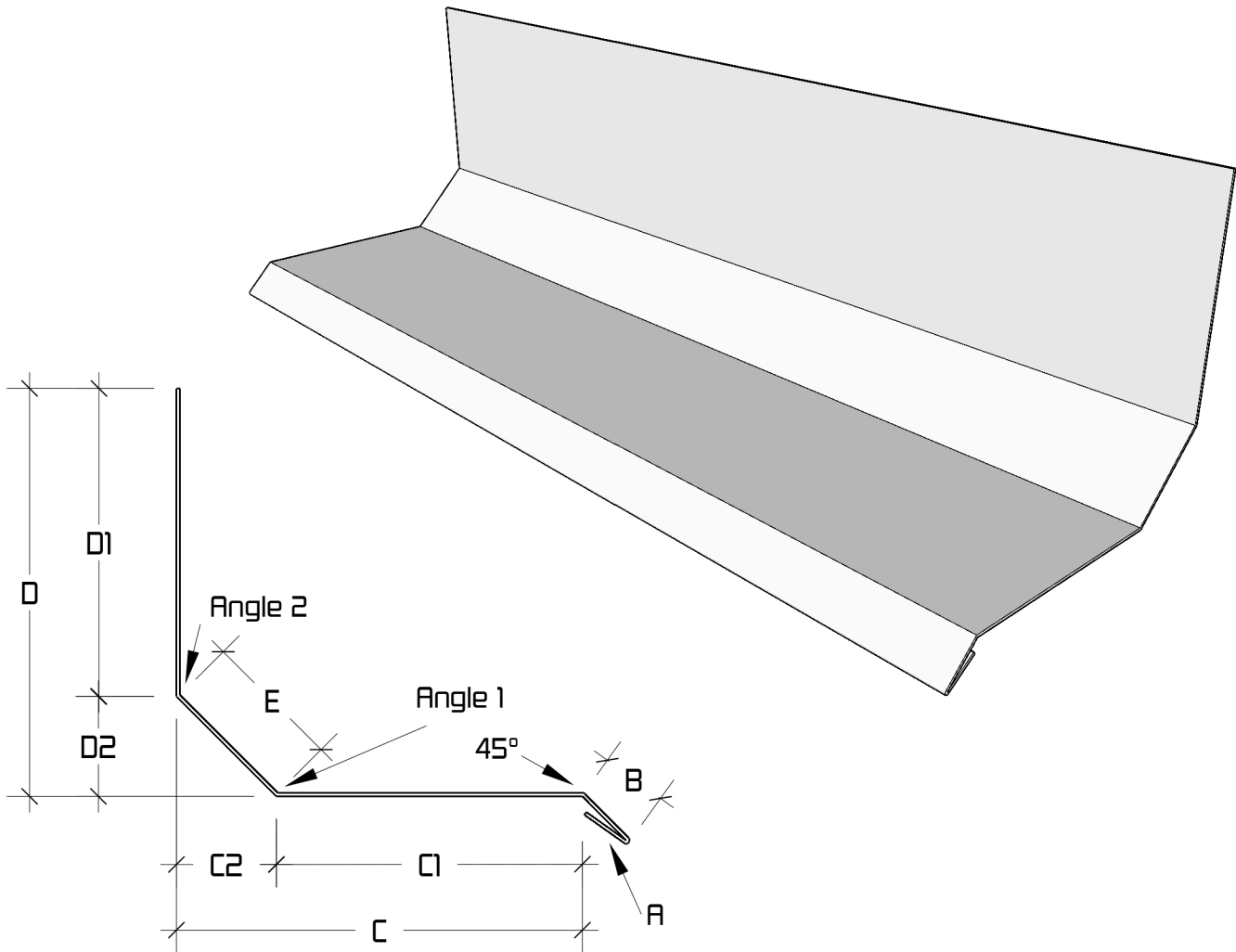


# Custom Through Wall Masonry Flashing Metal



## Sizes

A	B	C (C1+C2)	D (D1+D2)	E	Angle 1	Angle 2	Stock Material
Min. 0.375"	Min. 0.5"	Custom	Custom	Custom	Typ. 45°	Typ. 45°	Custom

Stock: optimal even cuts out of a 48" sheet: 4", 6", 8", 9.6", 12", 16", 24", 36".

Standard materials: stainless steel and galvanized steel.

Also available in **custom sizes** as well as different materials for other applications: Copper, lead coated copper, freedom gray, paint grip, kynar aluminum / steel, galvalume and more as special order items.